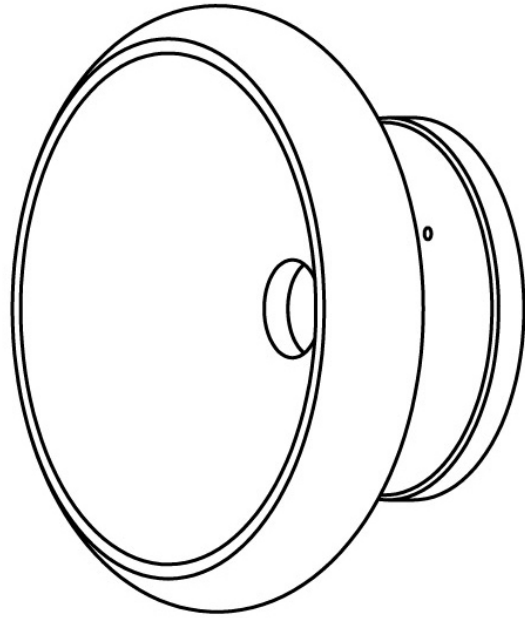


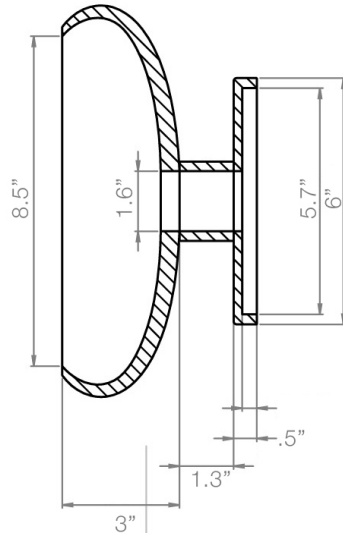
# PIEDRA COLLECTION

STONE SCONCES + SEMI-FLUSH MOUNTS

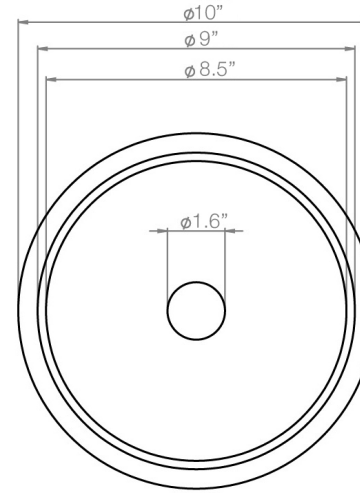
PIEDRA | SCONCE + FLUSH-MOUNT



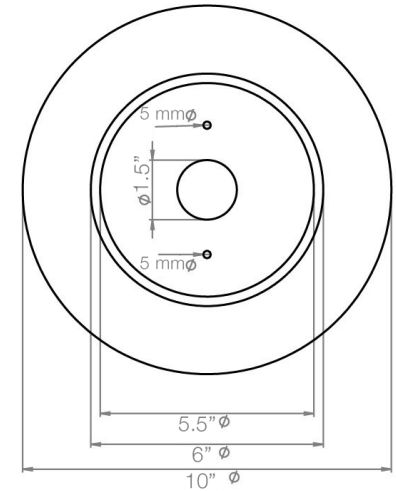
01 SIDE



02 FRONT



03 BACK



COLLECTION SPECS

DIMENSIONS

10" Ø x 5" H  
25.5 cm Ø x 13 cm H

BACK PLATE

6" Ø x .5" H  
15 cm Ø x 1.5 cm H

WEIGHT

~ 9 lbs / 4 kg

LAMPING

Wall or ceiling mount; hardwired  
Junction box; new work or beam mounted

Tala, Porcelian II LED bulb included:

540 lumen output  
6W | 60W replacement  
90 lumens/watt  
2700K / CRI 95 | matte white

Recommended US Dimmer:  
Lutron - Diva DVELV-300P-XX\*  
\*X denotes faceplate color

STONES

Terra Onyx  
Milk Onyx  
Black + White Onyx  
Travertine Marble  
Black Marble  
Grey Marble

FINISHES HARDWARE

Brass (standard)  
Chrome (upon request)

LEAD TIME

8 to 10 weeks

*l'aviva home*

212.625.9605 | studio@lavivahome.com