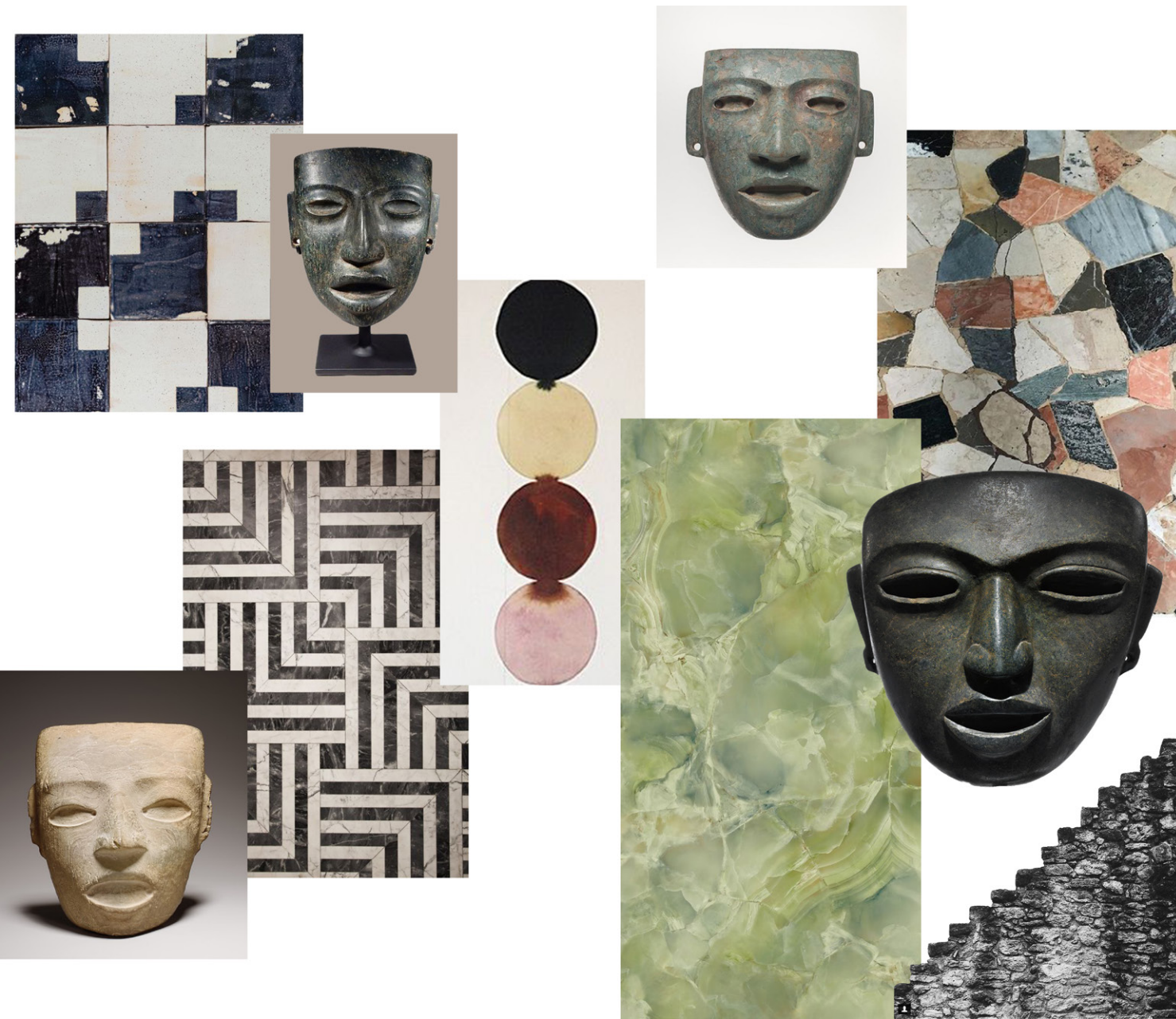


PIEDRA COLLECTION

STONE SCONCES + SEMI-FLUSH MOUNTS



PIEDRA COLLECTION

Our PIEDRA lighting takes its inspiration from the stone masks of the ancient civilization of Teotihuacán. Carved in the Mexican city of Teocali — which means 'stone house' in Nahuatl — the fixtures draw on the clean lines, defined angles, and streamlined silhouettes that epitomize the pre-Colombian stone masks. Sculpted from carefully chosen marble or onyx, each piece reflects the unique character of the individual stone from which it is formed.



LUTECA SHOWROOM, NYC



PIEDRA | SCONCES + SEMI-FLUSH MOUNTS



MILK ONYX

10" Ø x 5" h
25.5 cm Ø x 13 cm h

\$1,561.50 net

BLACK + WHITE ONYX

10" Ø x 5" h
25.5 cm Ø x 13 cm h

\$1,561.50 net

GREY MARBLE

10" Ø x 5" h
25.5 cm Ø x 13 cm h

\$1,561.50 net

BLACK MARBLE

10" Ø x 5" h
25.5 cm Ø x 13 cm h

\$1,561.50 net

TERRA ONYX

10" Ø x 5" h
25.5 cm Ø x 13 cm h

\$1,561.50 net

TRAVERTINE MARBLE

10" Ø x 5" h
25.5 cm Ø x 13 cm h

\$1,561.50 net

PIEDRA | LIT SCONCES + SEMI-FLUSH MOUNTS



MILK ONYX
 10" Ø x 5" h
 25.5cm Ø x 13cm h
 \$1,561.50 net

BLACK + WHITE ONYX
 10" Ø x 5" h
 25.5cm Ø x 13cm h
 \$1,561.50 net

GREY MARBLE
 10" Ø x 5" h
 25.5cm Ø x 13cm h
 \$1,561.50 net

BLACK MARBLE
 10" Ø x 5" h
 25.5cm Ø x 13cm h
 \$1,561.50 net

TERRA ONYX
 10" Ø x 5" h
 25.5cm Ø x 13cm h
 \$1,561.50 net

TRAVERTINE MARBLE
 10" Ø x 5" h
 25.5cm Ø x 13cm h
 \$1,561.50 net



COLLECTION DETAILS

STONES

Terra Onyx
Milk Onyx
Travertine Marble
Black Marble
Black + White Onyx
Grey Marble

HARDWARE

Brass (standard)
Chrome (upon request)

BACK PLATE DIMENSIONS

6" Ø x .5" h
15 cm Ø x 1.5 cm h

WEIGHT

~ 9 lbs / 4 kg

LEAD TIME

8 to 10 weeks

LAMPING

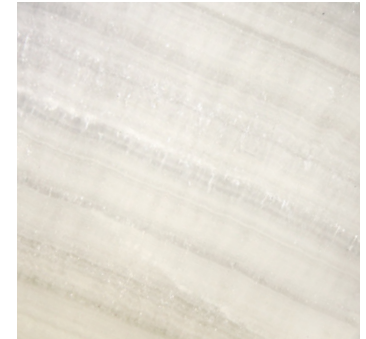
Wall or ceiling mount; hardwired
UL / cUL listed (120V)
240V available upon request

Tala, Porcelian II LED bulb included:
540 lumen output
6W | 60W replacement
90 lumens/watt
2700K / CRI 95 | matte white

Recommended US Dimmer:
Lutron - Diva DVELV-300P-XX*
**X denotes faceplate color*



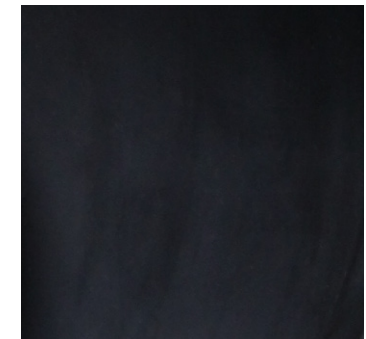
TERRA ONYX



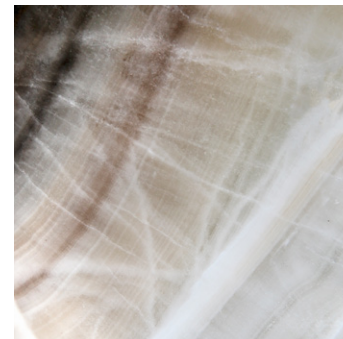
MILK ONYX



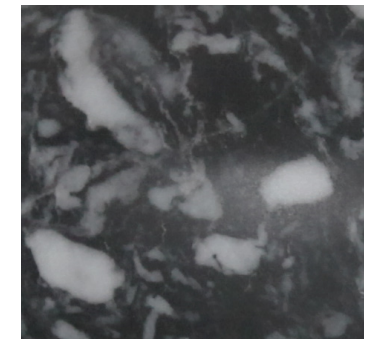
TRAVERTINE MARBLE



BLACK MARBLE



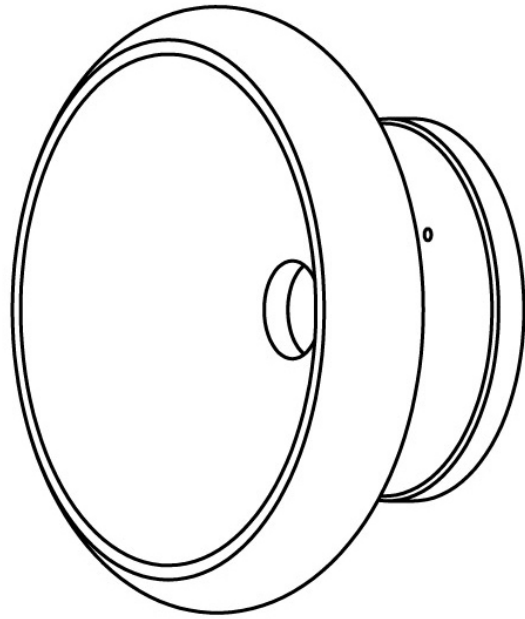
BLACK + WHITE ONYX



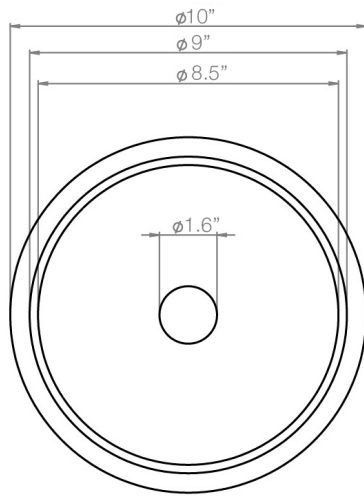
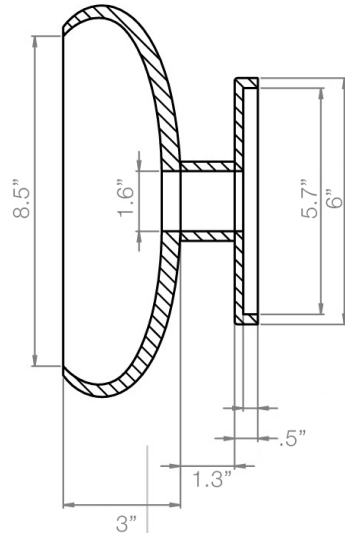
GREY MARBLE

Each piece in this collection is cut from carefully selected stone blocks. Every natural stone product is unique; variation in color, tone, veining and pattern is to be expected as part of the stone's inherent characteristics. Markings, lines and crystallization are not imperfections, but rather a natural part of the stone's beauty. Images and samples are indicative of the color and characteristics of the stones we work with in this collection and are not meant to portray an exact representation of the actual piece that you will receive.

PIEDRA | FIXTURE DIMENSIONS

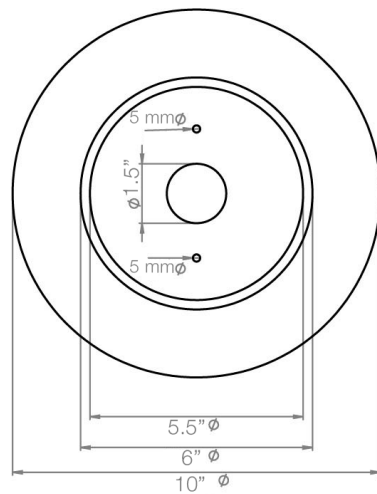


01 SIDE



02 FRONT

03 BACK



IC INTERIOR
FF DESIGN

NYC AWARDS
X DESIGN
2019 AWARDS FINALIST

MAKING THE COLLECTION

